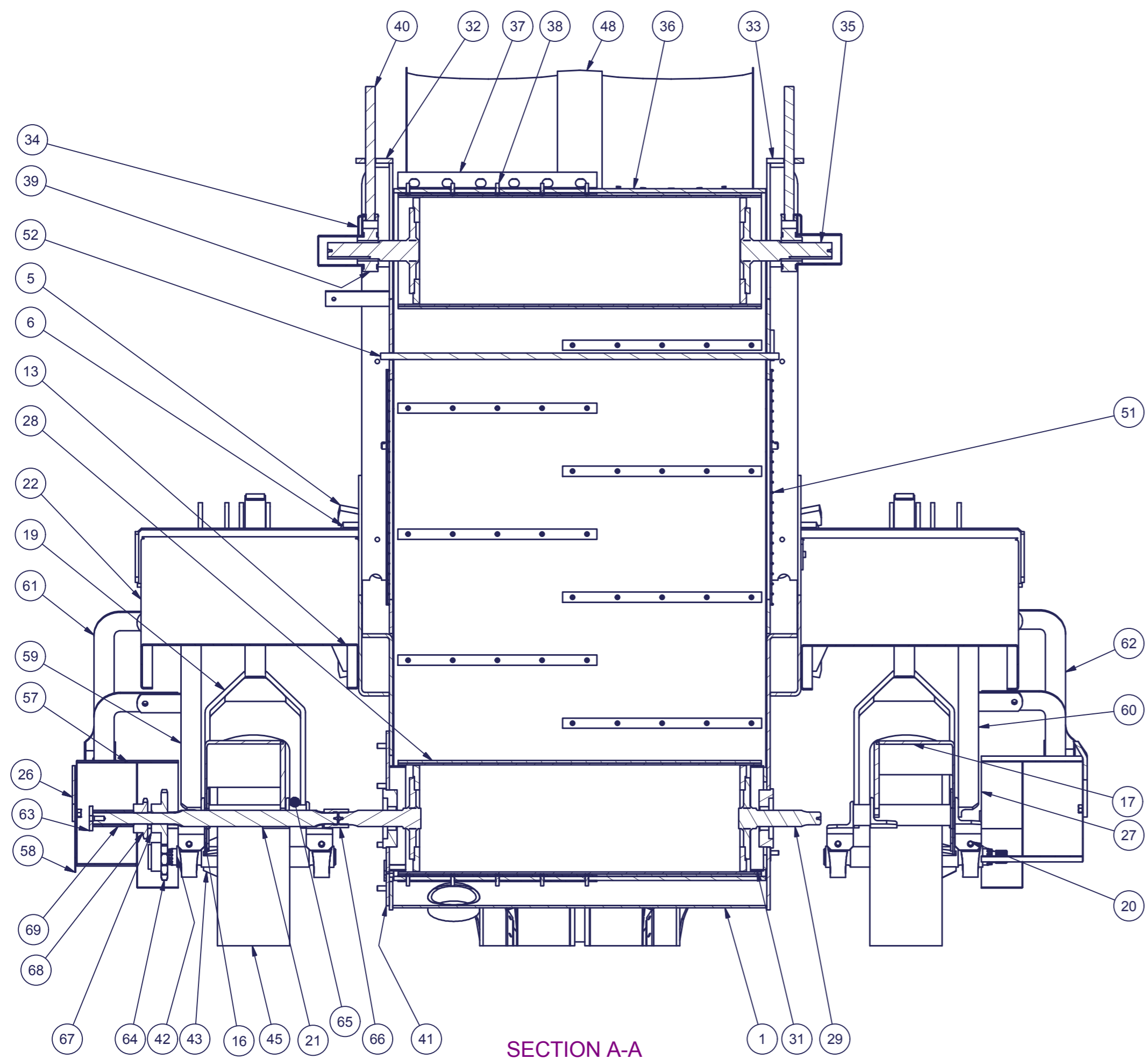
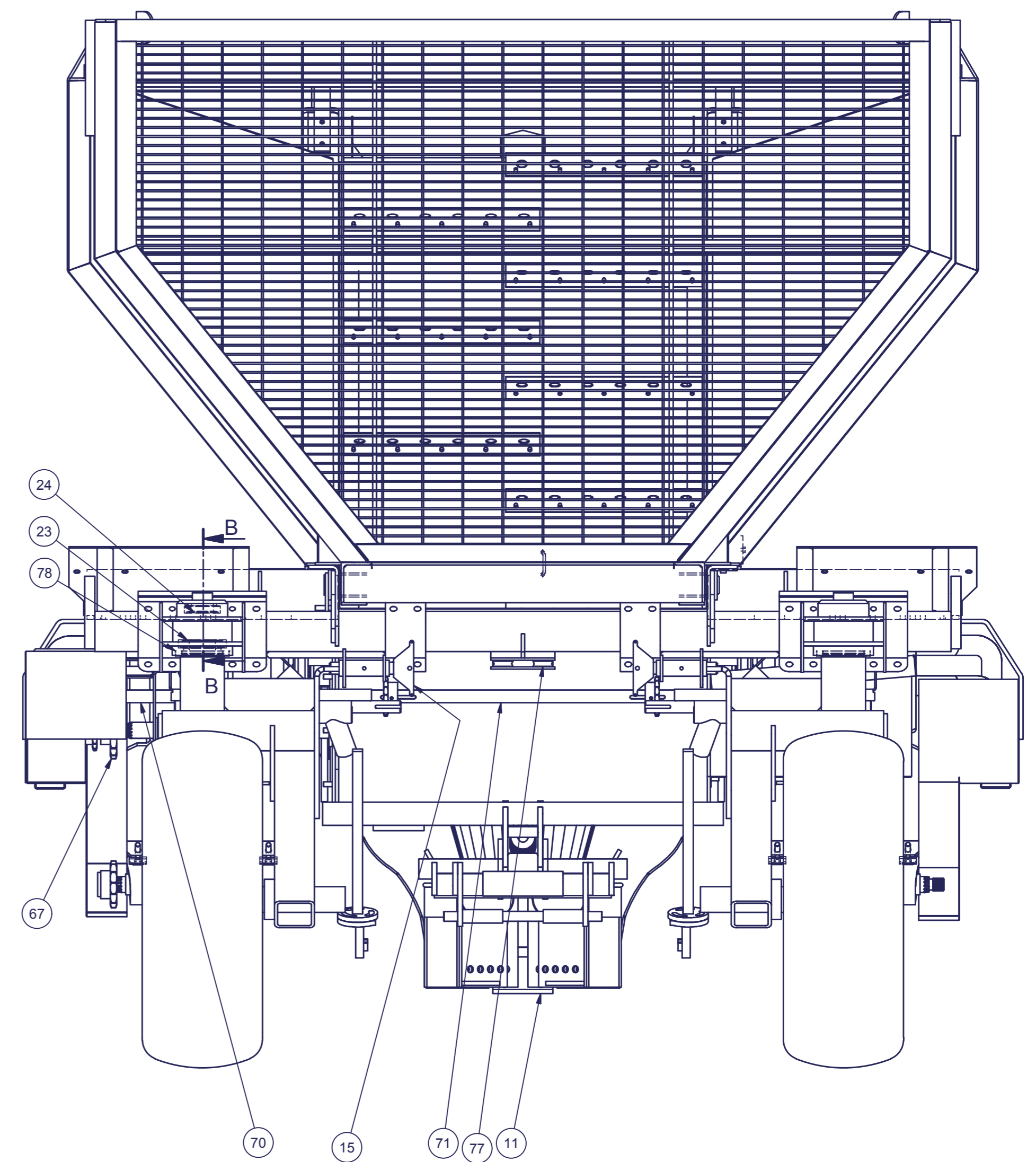


PROJECTION  DIMENSIONS IN MILLIMETRES GENERAL TOLERANCES WHOLE NO.'S ± 1.0 ONE DEC. ± 0.25 TWO DEC. ± 0.05 ANGLES ± 1°	DO NOT SCALE	BUNDABERG MOBILE EQUIPMENT AND ENGINEERING PTY LTD PO BOX 1965 BUNDABERG 4670	THIS DRAWING IS COPYRIGHT AND MUST NOT BE COPIED WITHOUT WRITTEN CONSENT OF BUNDABERG MOBILE EQUIPMENT & ENGINEERING PTY LTD		SCALE 1:10	ISS. 1	DATE 11/04/2010
	MATERIAL AS DETAILED		DRAWN JW APPR.	TITLE PLANTER G.A. EXTENDED BIN		DWG. No. BME0391-2 SHEET 1 OF 3 A2	



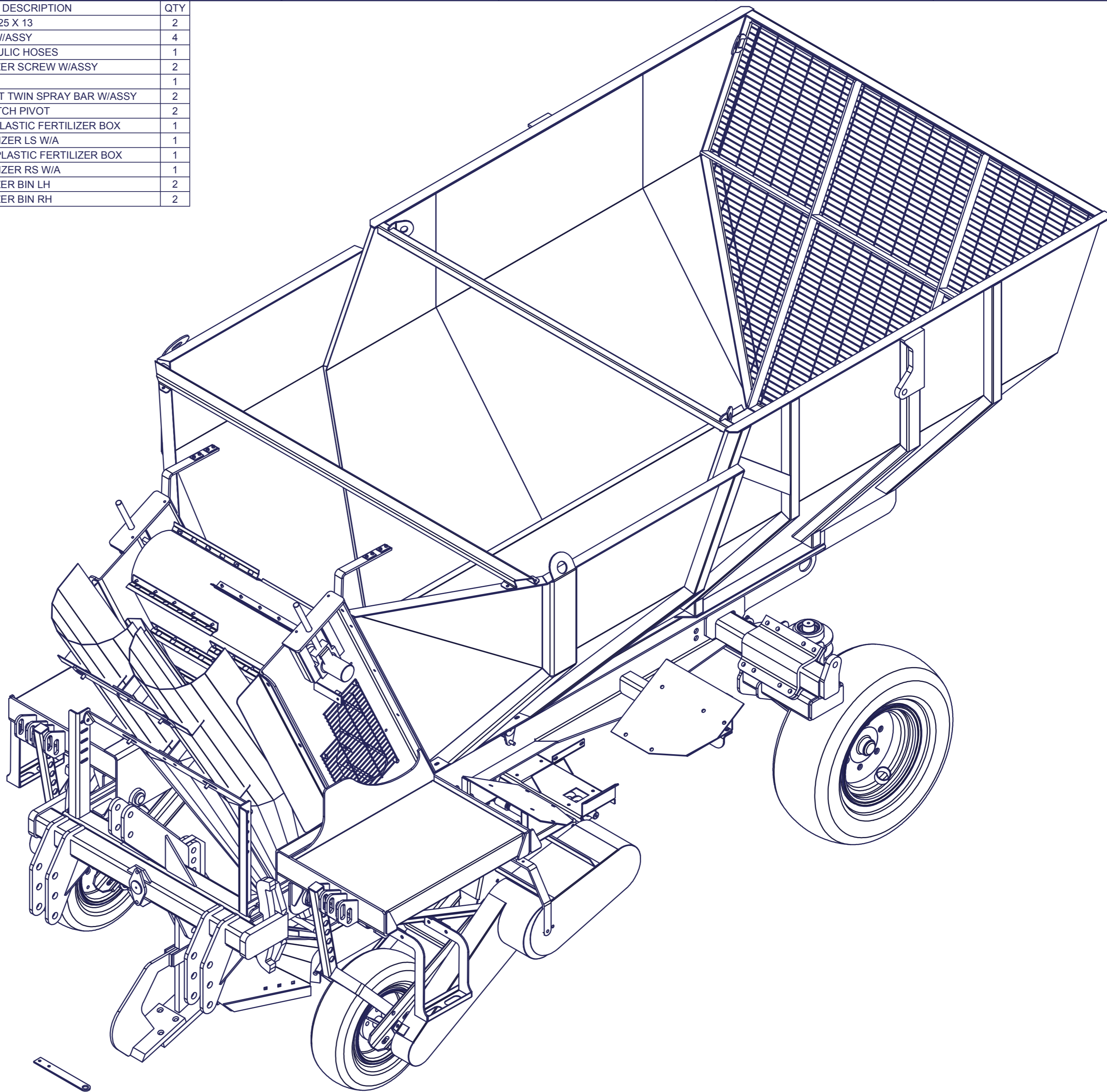
SECTION A-A



SECTION B-B

PROJECTION	DIMENSIONS IN MILLIMETRES	DO NOT SCALE	BUNDABERG MOBILE EQUIPMENT AND ENGINEERING PTY LTD PO BOX 1965 BUNDABERG 4670	THIS DRAWING IS COPYRIGHT AND MUST NOT BE COPIED WITHOUT WRITTEN CONSENT OF BUNDABERG MOBILE EQUIPMENT & ENGINEERING PTY LTD	SCALE 1:10	ISS. DATE
GENERAL TOLERANCES WHOLE NO'S ± 1.0 ONE DEC. ± 0.25 TWO DEC. ± 0.05 ANGLES ± 1°			DRAWN JW	TITLE	DWG. No.	BME0391-2
MATERIAL	APPR.			PLANTER G.A. EXTENDED BIN		SHEET 2 OF 3 A2

ITEM	PART No.	DESCRIPTION	QTY	ITEM	PART No.	DESCRIPTION	QTY
1	BME0034-6	MAINFRAME W/A PLANTER	1	78		SEAL CR 100 X 125 X 13	2
2	BME0392-2	BIN PIVOTING W/A EXTENDED	1	79	BME0384-1	JACKING BOLT W/ASSY	4
3	BME0075-3	BIN FRONT SIDEWALL W/A LS	1	80	BME0382-1	CLAMP HAYDRAULIC HOSES	1
4	BME0076-2	BIN FRONT SIDEWALL W/A RS	1	87	BME0411-1	MOUNT FERTILIZER SCREW W/ASSY	2
5	BME0090-2	HITCH REAR W/A	1	88	BME0412-1	TORQUE ARM	1
6	BME0106-2	HITCH PIVOTING W/A	1	89	BME0409-1	MOUNT BRACKET TWIN SPRAY BAR W/ASSY	2
7	BME0128-2	PIVOTING WHEEL MOUNT W/A LS	1	90	BME0455-1	BUSH FRONT HITCH PIVOT	2
8	BME0127-2	PIVOTING WHEEL MOUNT W/A RS	1	91	BME0363-2	AUGER W/A LS PLASTIC FERTILIZER BOX	1
9	BME0129-2	PIVOTING WHEEL LOCATION PIN MOUNT CLAMP	2	92	BME0369-2	TROUGH FERTILIZER LS W/A	1
10	BME0139-2	PIVOTING WHEEL MOUNT DRILLED	2	93	BME0367-2	AUGER W/A RS PLASTIC FERTILIZER BOX	1
11	BME0222-2	SINGLE PLOUGH ASSEMBLY	1	94	BME0370-2	TROUGH FERTILIZER RS W/A	1
12	BME0306	BIN PIVOT PIN W/A	1	95	BME0404-1	MOUNT FERTILIZER BIN LH	2
13	BME0311	PIN W/A REAR HITCH PIVOT	2	96	BME0408-1	MOUNT FERTILIZER BIN RH	2
14	BME0314-2	PIN HITCH PIVOT FRONT W/A	1				
15	BME0317	PIN PIVOT WHEEL LOCKING W/A	2				
16	BME0141	MOUNT SWING ARM LS W/A	1				
17	BME0142	MOUNT SWING ARM RS W/A	1				
18	BME0321	BRACE FRONT SIDEWALLS	1				
19	BME0183	FRONT WHEEL YOKE W/A	2				
20	BME0149-2	SWING ARM W/A RS	1				
21	BME0150-2	SWING ARM W/A LS	1				
22	BME0300-3	STEP TREAD PLATFORM	2				
23		BEARING 30213	2				
24		BEARING 32011	2				
25	BME0115-4	TRAILING ARM W/A RS	1				
26	BME0192-2	MOUNT RS DRIVE	2				
27	BME0170-1	COVER CHAIN DRIVE W/A RS FRONT	1				
28	BME0334-1	ROLLER RUBBER LAGGED	2				
29	BME0338-2	SHAFT LOWER MACHINED ROLLER DRIVE	2				
30	BME0195	COVER PLATE	2				
31	BME0196	LABYRINTH ROLLER SHAFT	1				
32	BME0199	TOP PLATE W/A LS BEARING TAKEUP	1				
33	BME0200	TOP PLATE W/A RS BEARING TAKEUP	1				
34	BME0204	GUARD TOP ROLLER SHAFT	2				
35	BME0342-1	SHAFT UPPER MACHINED ROLLER DRIVE	2				
36	BME0345-1	CONVEYOR BELT PUNCHED	1				
37	BME0193	PICKUP FLIGHT	24				
38	BME0194	BACKING STRIP W/A	24				
39		UCT210 TAKEUP BREARING	2				
40	BME0203	ROD BEARING TAKEUP	2				
41	BME0346-2	COVER HOUSING LOWER BELT DRIVE	1				
42	UCP208	PLUMBER BLOCK BRG UCP208	4				
43	BME0329-3	AXLE DRIVE WHEEL MACHINED	2				
44	BME0354-1	SPLIT RIM 5.00 X 12 DRIVE WHEEL	2				
45		TYRE 7.00 X 12	2				
46	BME0209-3	CHUTE W/A RS	1				
47	BME0210-3	CHUTE W/A LS	1				
48	BME0216	CHUTE DIVIDER W/A	1				
49	BME0220	MEMBER CHUTE CONNECTION	1				
50	BME0221	HINGE MEMBER CHUTE CONNECTION	1				
51	BME0299	GUARD MESH CONVEYOR SIDE	2				
52	BME0301	SPREADER BAR	1				
53	BME0302-3	BELT GUIDE CONVEYOR	2				
54	BME0303	COVER MAKEUP TANK	1				
55	BME0304	CHUTE GUARD LS	1				
56	BME0305	CHUTE GUARD RS	1				
57	BME0169-2	COVER CHAIN DRIVE W/A LS FRONT	1				
58	BME0179-2	GUARD FERTILIZER CHAIN W/A	1				
59	BME0160-2	STAY BAR W/A LS	1				
60	BME0161-2	STAY BAR W/A RS	1				
61	BME0164	STEP W/A LS	1				
62	BME0165	STEP W/A RS	1				
63	BME0189	PLATE RETAINING	3				
64	BME0328-1	SPROCKET 13T 1" P SPLINED 14T 12/24	1				
65	BME0323-3	LAYSHAFT PLANTER	1				
66	BME0322-2	COUPLING 14T 12/24 60 LONG	3				
67	BME0326-1	SPROCKET 16T 1" P SPLINED 14T 12/24	1				
68	BME0327-1	SPROCKET 15T 3/4" P SPLINED 14T 12/24	1				
69	BME0188-2	SPACER SPROCKET 100	2				
70	BME0324-3	SHAFT FERTILIZER DRIVE	1				
71	BME0351-2	PRIMARY DRIVE FERTILIZER SHAFT	1				
72	BME0352-1	SPROCKET 15T 3/4" P 1 1/4" KEYED	2				
73	BME0325-1	SPROCKET 27T 3/4" P SPLINED 14T 12/24	1				
74	BME0178	RIM W/A 10.00 X 16 TYRE	2				
75		REAR TYRE 10.00 x 16	2				
76	BME0116-4	TRAILING ARM W/A LS	1				
77	BME0320	PULLEY PIVOT WHEEL LOCK CABLE	2				



PROJECTION	DIMENSIONS IN MILLIMETRES	DO NOT SCALE	BUNDABERG MOBILE EQUIPMENT AND ENGINEERING PTY LTD	THIS DRAWING IS COPYRIGHT AND MUST NOT BE COPIED WITHOUT WRITTEN CONSENT OF BUNDABERG MOBILE EQUIPMENT & ENGINEERING PTY LTD	SCALE 1:10	ISS. DATE
GENERAL TOLERANCES WHOLE NO'S ± 1.0 ONE DEC. ± 0.25 TWO DEC. ± 0.05 ANGLES ± 1°			DRAWN JW	PO BOX 1965 BUNDABERG 4670	DWG. No.	
MATERIAL	APPR.		TITLE		BME0391-2	
					SHEET 3 OF 3 A2	