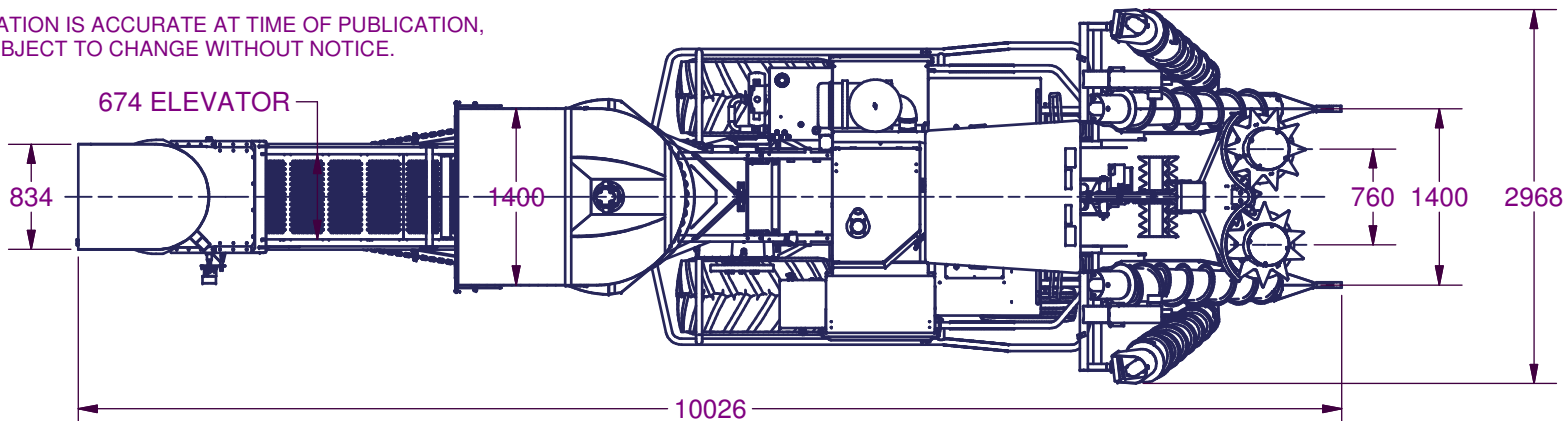
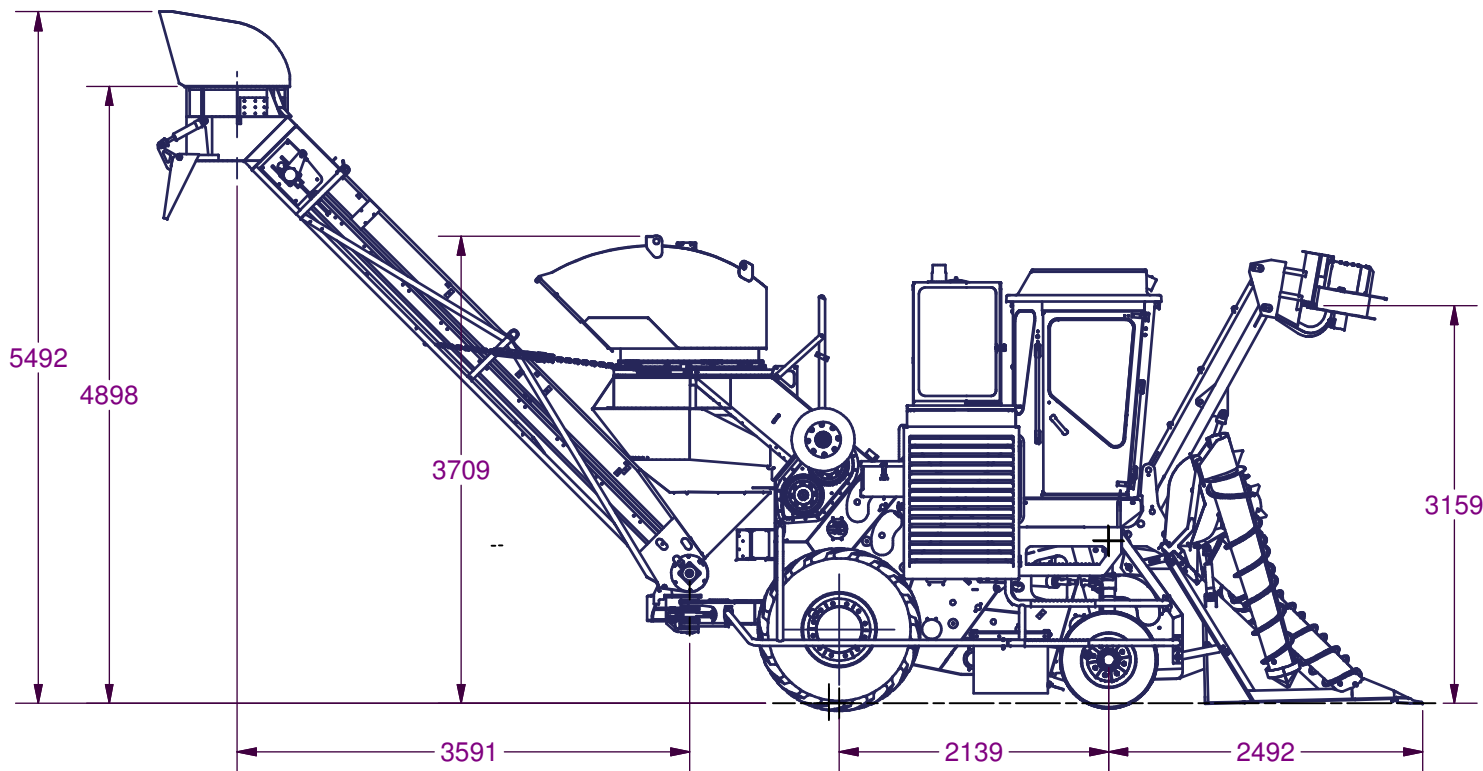


NOTE:
SPECIFICATION IS ACCURATE AT TIME OF PUBLICATION,
BUT IS SUBJECT TO CHANGE WITHOUT NOTICE.

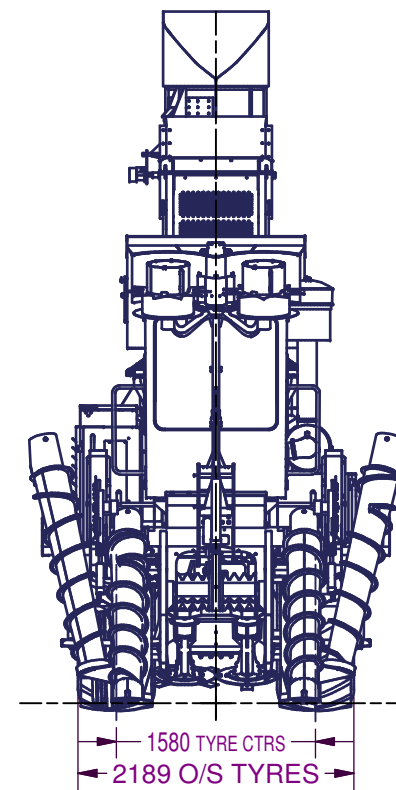
A



B



C



D

PROJECTION 		DIMENSIONS IN MILLIMETRES		DO NOT SCALE		BUNDABERG MOBILE EQUIPMENT AND ENGINEERING PTY LTD		THIS DRAWING IS COPYRIGHT AND MUST NOT BE COPIED WITHOUT WRITTEN CONSENT OF BUNDABERG MOBILE EQUIPMENT & ENGINEERING PTY LTD		SCALE	1	23/06/2012
GENERAL TOLERANCES WHOLE NO.'S ± 1.0 ONE DEC. ± 0.25 TWO DEC. ± 0.05 ANGLES $\pm 1'$				DRAWN	JW	PO BOX 1965 BUNDABERG 4670		TITLE		ISS.		DATE
MATERIAL				APPR.				AX5000 RUBBER TYRE ELEVATOR		DWG. No.		
										BME7212-1		
										SHEET 1 OF 1		A4

1

2

3

4